

PLUGS AND SOCKETS with Screw Terminals

- IEC 60309-1/2, EN 60309, VDE 0623
- Protection degree IP44, IP67

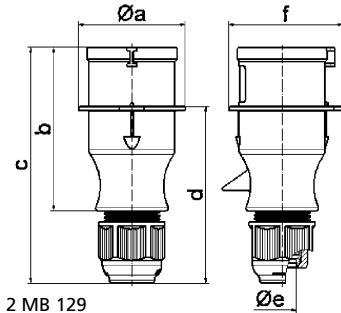
Plug with Multi-Grip

- Screw terminals
- One-piece enclosure
- Special gland, simultaneous cable gland and seal
- Protection degree IP44

Ampere	Poles	110V 50-60 Hz			230V 50-60 Hz			400V 50-60 Hz			500V 50-60 Hz			100-300Hz > 50V			301-500Hz > 50V			Qty	each
		2P+E	3P+E	3P+N+E	3pol 4h	4pol 4h	5pol 4h	3pol 6h	4pol 9h	5pol 9h	3pol 9h	4pol 6h	5pol 6h	3pol 7h	4pol 7h	5pol 7h	3pol 10h	4pol 10h	5pol 10h		
16	3				<u>21000-TLS</u>				<u>21001-TLS</u>											10	120
16	4				<u>21003-TLS</u>				<u>21004-TLS</u>											10	130
16	5				<u>21009-TLS</u>				<u>21010-TLS</u>											10	150
32	3				<u>21012-TLS</u>				<u>21013-TLS</u>											10	200
32	4				<u>21015-TLS</u>				<u>21016-TLS</u>											10	220
32	5				<u>21021-TLS</u>				<u>21022-TLS</u>											10	250



Fig.: Type 204-TLS



2 MB 129

Ampere	16	16	16	32	32	32
Poles	3	4	5	3	4	5
a ø	54.0	60.0	66.0	71.0	71.0	80.0
b	94.5	98.0	101.0	115.0	115.0	119.0
c	138.0	142.0	145.0	170.0	170.0	174.0
d	101.5	105.5	108.5	124.0	124.0	128.0
e ø	18.0	18.0	18.0	23.0	23.0	23.0
f	56.6	64.0	71.0	76.0	76.0	85.0
Cond. mm ² min	1	1	1	2.5	2.5	2.5
Cond. mm ² max	2.5	2.5	2.5	6	6	6

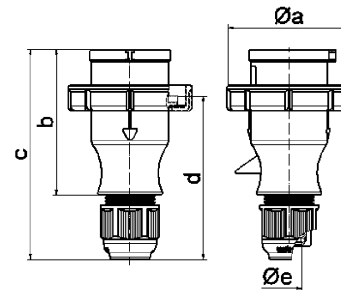
Plug with Multi-Grip

- Screw terminals
- Nickel plated contacts
- One-piece enclosure
- Special gland, simultaneous cable gland and seal
- Protection degree IP67

Ampere	Poles	110V 50-60 Hz			230V 50-60 Hz			400V 50-60 Hz			500V 50-60 Hz			100-300Hz > 50V			301-500Hz > 50V			Qty	each
		2P+E	3P+E	3P+N+E	3pol 4h	4pol 4h	5pol 4h	3pol 6h	4pol 9h	5pol 9h	3pol 9h	4pol 6h	5pol 6h	3pol 7h	4pol 7h	5pol 7h	3pol 10h	4pol 10h	5pol 10h		
16	3				<u>210575</u>				<u>210576</u>											10	155
16	4				<u>210581</u>				<u>210582</u>					<u>210583</u>		<u>210584</u>				10	170
16	5				<u>210587</u>				<u>210588</u>					<u>210589</u>						10	170
32	3				<u>210593</u>				<u>210594</u>					<u>210595</u>						10	243
32	4				<u>210599</u>				<u>210600</u>					<u>210601</u>						10	255
32	5				<u>210605</u>				<u>210606</u>					<u>210607</u>						10	305



Fig.: Type 210589



2 MB 130

Ampere	16	16	16	32	32	32
Poles	3	4	5	3	4	5
a ø	70.0	78.0	86.0	94.0	94.0	101.0
b	94.5	98.0	101.0	115.0	115.0	119.0
c	138.0	142.0	145.0	170.0	170.0	174.0
d	105.5	109.5	112.5	128.0	128.0	132.0
e ø	18.0	18.0	18.0	23.0	23.0	23.0
Cond. mm ² min	1	1	1	2.5	2.5	2.5
Cond. mm ² max	2.5	2.5	2.5	6	6	6